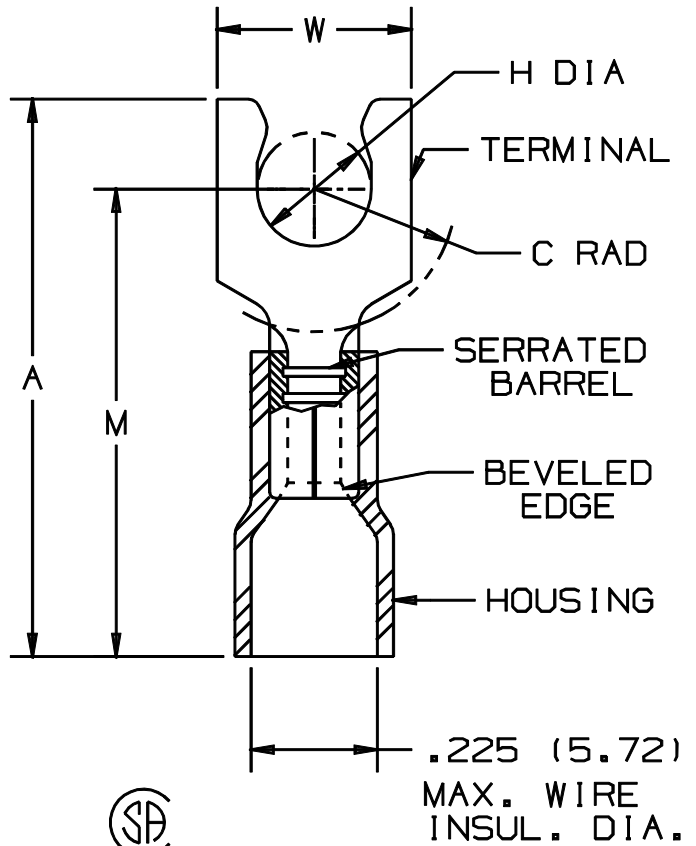


THIS COPY IS PROVIDED ON A RESTRICTED BASIS AND IS NOT TO BE USED IN ANY WAY DETRIMENTAL TO THE INTERESTS OF PANDUIT CORP.

PANDUIT PART NUMBER	STUD SIZE	DIMENSIONS in.				
		A $\pm .03$	W $\pm .01$	C $\pm .02$	M $\pm .03$	H $\pm .01$
PV10-5SLF	#5	.86 (21.84)	.25 (6.35)	.22 (5.59)	.77 (19.56)	.12 (3.05)
PV10-6SLF	#6	.87 (22.10)	.25 (6.35)	.22 (5.59)	.77 (19.56)	.14 (3.56)
PV10-8SLF	#8	.92 (23.37)	.29 (7.37)	.26 (6.60)	.81 (20.57)	.16 (4.06)
PV10-10SLF	#10	.92 (23.37)	.33 (8.38)	.26 (6.60)	.81 (20.57)	.19 (4.83)
PV10-14SLF	1/4"	1.02 (25.91)	.45 (11.43)	.33 (8.38)	.86 (21.84)	.25 (6.35)



NOTES:

- RECOMMENDED FOR:
 - 600V. MAX. VOLTAGE RATING (1000V. MAX IN SIGNS, FIXTURES AND LUMINARIES)
 - #12-10 AWG STRANDED COPPER WIRE ONLY
 - 221° F (105° C) MAX. TEMP. RATING
- MATERIAL:
 - STAMPING - .04 (1.02) THK COPPER, TIN PLATED
 - HOUSING - VINYL, YELLOW
- PACKAGE QTY: STD. PKG. -L=50
BULK PKG. -D=500
- DIMENSIONS IN BRACKETS ARE IN MILLIMETERS
- INSTALLATION TOOLS: CT-550, CT-1550, CT-1551
- WIRE STRIP LENGTH : 5/16 $\pm 1/32$ (7.9 ± 0.8)



LISTED
587H
E52164



CERTIFIED
LR-31212

A41247_05

5	1/01	RM		FILESPEC WAS N41247AA_PCD_04					PANDUIT CORP. TINLEY PARK, ILLINOIS			
4	1/97	JAMB		UPDATE NOTES, MAX. WIRE INSUL DIA. WAS .230 (5.84)	05448							
3	7-96	JB RLS		ORIGINAL FILE SPEC WAS A41247A GEN'L. REVISIONS TO TABLE & NOTES	04884	LA	DBH	#12-10 BARREL FUNNELED VINYL INSULATED SHORT LOCKING FORK, .225 (5.72) MAX. WIRE INSULATION DIAMETER				
2	7-88	DW		REDRAWN WITH REVISIONS		LA	JRB					
REV	DATE	BY	CHK	DESCRIPTION	ECN	QA	CUST	PM	DRAWN BY DAW	CHK'D	SCALE NONE	DRAWING NO. A41247